

## Pneumatic tyred roller AP 240 Tier 3

High performance thanks to proven technology provides excellent compaction results.



Easy to handle, safe to operate, and excellent compaction output. These are the main features of the AP 240. Hydrodynamic propulsion is proven by decades of operation, and together with a highly reliable Cummins engine ensures trouble free operation and a long life.



Operators comfort and safety is ensured by two complete operator stations, including the steering wheel, seat, and controlling pedals.

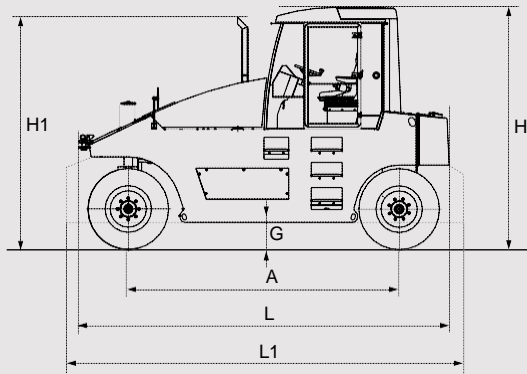
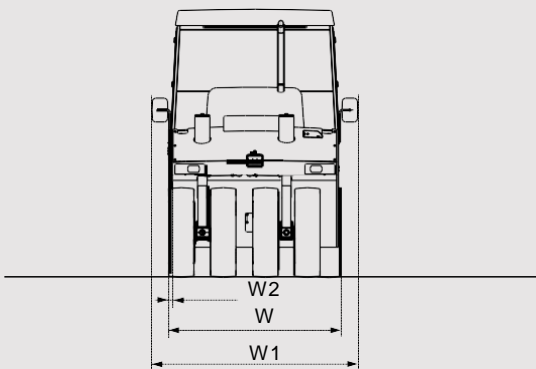
The versatility of the machine is ensured by a wide ballasting range from 9.5 to 24 tons. Easy ballasting and unballasting provides the flexibility to set up an exact wheel load according to jobsite conditions. The Air-on-Run system as standard helps to set up the correct contact pressure onto the wheels.

### Standard Equipment

- Fully-enclosed sound suppressed high comfort cabin with ROPS/FOPS protection
- Fully integrated air conditioning and heating to cabin
- Murphy engine display system on dash
- Safety handrails to machine deck – front and rear
- Waterproof frame suitable for water ballast – 3,000kg
- Steel ballast 6,000 kg
- Levelling suspension of front wheels
- Inter wheel differential lock
- Pressurised water spray system
- Engineaire self-cleaning pre-cleaner to air-cleaner
- Hazard and Turn Signals - protected
- Back-up alarm
- LED beacons roof mounted front and rear with guards
- Working headlights halogen - protected

## Technical specification

### Dimensions:



A	G	H	H1	L	L1	W	W1	W2
3800	260	3110	3090	5020	5780	1986	2265	33

dimensions in mm

### AP240 Tier 3

Dimensions		
Operating weight - empty	kg	15 945
Ballasted weight - water	kg	18 945
Operating weight max - optional	kg	24 000
Wheel load max.	kg/wheel	3 000
Compacting width	mm	1 986
Wheels		
Number of wheels	-	8 (4+4)
Tyres dimension	-	11,00 x 20"
Travel characteristic		
No. of travel speeds		3
Max. speed	km/hr	19
Gradeability	%	35
Engine		
Make		Cummins
Type		QSB 3,3-C 99
Rated power (DIN 6271) ISO 3046/1	kW	74
Emission stage		EU Stage IIIa/ Tier 3
Propulsion		
Drive type	-	Hydrodynamic
Gearbox type	-	Power Shift
Number of speeds	-	3 gears, reversible
Steering		
Turning radius inner (edge)	mm	6180
Turning radius outer (contour)	mm	9960
Steering and Oscillating angle	(±) °	16/3
Brakes		
Operation	-	Hydro pneumatic
Parking	-	Mechanical disc
Emergency	-	Mechanical disc
Capacities		
Fuel	lt	250
Water	lt	460
Emulsion liquid	lt	N/A

