



Machines

Articulated Tandem Rollers

AV 70 X / 110 X / 120 X / 130 X

www.ammann-group.com



Innovative technology of the articulated Tandem Roller AV X

The AV articulated Tandem Roller focuses on a high compaction performance and high standards for the drivers comfort and safety. The concept combines easy operation with long service intervals.

The Ammann tandem rollers of the AV X line were developed for the demand of today's road building projects worldwide to compact asphalt sub-layers, wearing course and next to gravel and soils. The striking design provides a masterful visual reflection of the rollers combination of high compaction and driver's comfort.

AV 70 X / 110 X / 120 X and AV 130 X are based on two frames connected by double joint enabling a crab-steering of 160 mm (180 mm) both sides. The driver controls the roller from an ergonomic designed panoramatic cab on the front frame. The concept offers excellent visibility to the sprinkler system, drum surface and edges as well as all-round visibility to the whole working area.

The heavy AVX line has a unique drive propulsion system. The power train is situated in the rear frame. Independent pumps for drive and vibration secure an optimal traction and compaction force of the roller. Excellent compaction results are achieved by optimal combination of drum dimensions, frequencies and amplitudes.

The light roller of 7 ton weight use minimal turning radius to a great extent. It is because this machine is used in medium to small job sites where higher manoeuvrability is required. High reliable and efficient Tier 3 engines provides sufficient power and highest reliability.



Cab

- Integrated ROPS/FOPS
- Ventilation and heating
- Excellent view to the drum surface, edges and sprinkling system
- One-seat working place: swivelling and sliding within the entire width of the cab
- Adjustable steering wheel for ultimate driver's comfort
- Two drive levers for easy hands operation at both side of cab and adjustable seat



Drums

- Two amplitudes and two frequencies for optimal compaction of the different job sites applications
- Balanced Drums dimensions minimize the risk of asphalt waves
- Reliable long-life vibration system
- Back-up sprinkling system by use of two water pumps
- Large water tanks for long filling intervals



Service and Maintenance

- Excellent access to the engine service points by wide hoods
- All control and lubrication ports reachable from the ground
- Cabine isolated against heat and vibration
- Best access to the sprinkling nozzles



Drive and control

- Double pump system drives both drums independently (AV 110 X / AV 120 X / AV 130 X)
- Excellent traction even in difficult terrains
- Double joint enabling crab-steering of 160 (180) mm both sides
- Unique manoeuvrability achieved by a large steering angle and general machine compactness



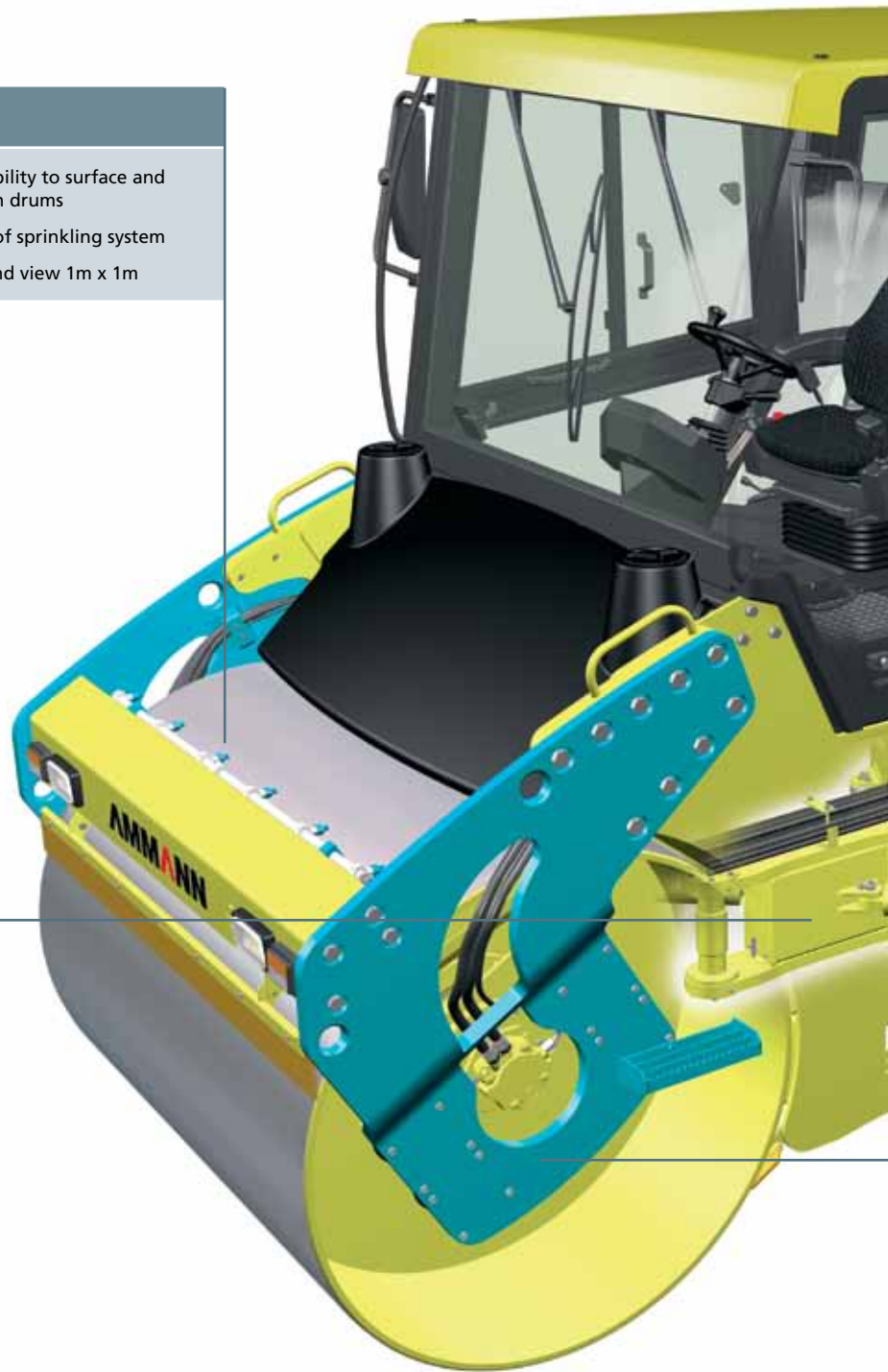
Ergonomics:

Two drive levers for easy hands operation at both sides of cab



Visibility

Excellent visibility to surface and edges of both drums
Good access of sprinkling system
Best all-around view 1m x 1m



Articulated point

Double joint articulation point
Crab mode possible
Perfect manoeuvrability

AV 70 X / 110 X / 120 X / 130 X

Articulated Tandem Rollers



Visibility:
Open view over both drums
and sprinkling

Practicality:
Fast-tilting scrapers are
optional



Cab

- Roomy well glassed cab
- Maximal operator's comfort
- Optimal layout of all controllers
- Well-arranged dashboard

Driver's working place

- Sliding and swivelling seat within the comfort cabin
- Safe ROPS/FOPS – protection
- Two drive levers
- Adjustable steering wheel and seat
- ACE Force compaction meter

Propulsion

- Powerful reliable engine
- Pair of independent pumps for motion and vibration
- Low fuel consumption
- Long maintenance and service intervals

Drum

- Optimized parameters of the vibration
- Drum size prevent undulation of compacting material
- Reliable construction arrangement of exciter mechanism



Technical data and specifications

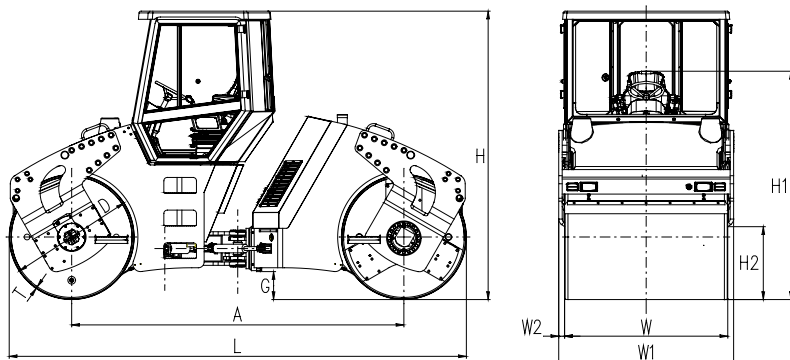
		AV 70 X	AV 110 X
Capacity			
Operating weight maximum	kg	7720	10990
Compacting width	mm	1450	1700
Drum offset	mm	180	160
Weights			
Operating weight (CECE)	kg	7360	10400
Front drum load (CECE)	kg	3750	5250
Rear drum load (CECE)	kg	3610	5150
Front drum linear load	kg/cm	27,50	30.9
Rear drum linear load	kg/cm	25,70	30.3
Steering			
Steering angle (+ -)	°	34	34
Oscillation angle (+ -)	°	8	6
Turning radius inner (edge)	mm	4600	4650
Transversal stability - straight	°	32	30
Riding characteristic			
Maximal speed	km/h	10	11
Gradeability without vibration	%	30	30
Gradeability with vibration	%	30	30
Brakes			
Operation		Hydrostatic	Hydrostatic
Parking		Multidisc	Multidisc
Emergency		Multidisc	Multidisc
Vibration			
Amplitudes	mm	0.6 / 0.33	0.7 / 0.35
Frequencies	Hz	43 / 52	45 / 55
Centrifugal forces	kN	55 / 65	110 / 83
Watering			
Watering		Pressure	Pressure
No. of pumps		2	2
Water filtration stages		3	3
Capacities			
Fuel	lt	110	208
Water	lt	600	1000
Electrical Installation			
Voltage	V	12	12
Capacity of batteries	Ah	100	135
Engine			
Make		Cummins	Cummins
Type		BTAA 3.3 - C80	QSB3.3-C99
Rated power	kW	60	74
Standard		ISO 3046/1 (DIN6271)	ISO 3046/1 (DIN6271)

Dimensions (mm)	A	D	G	H	H1	H2	L	T	W	W1	W2
AV 70 X	3260	1150	240	3005	2300	755	4410	15	1450	1550	45
AV 110 X	3460	1300	310	3020	2350	760	4760	22	1700	1822	61
AV 120 X	3480	1500	290	3025	2350	760	4760	21	1880	2002	61
AV 130 X	3525	1350	335	3060	2390	785	4875	20	2100	2222	60

Technical data subject to change without notice. Illustrations may show optional equipment.



AV 120 X	AV 130 X
11730	13670
1880	2100
160	160
11140	13080
5550	6610
5590	6470
29,2	31.5
28,9	30.8
34	34
6	6
4560	4670
30	30
11	11.4
30	40
30	30
Hydrostatic	Hydrostatic
Multidisc	Multidisc
Multidisc	Multidisc
0,7 / 0,35	0.8 / 0.4
45 / 55	42 / 55
116 / 86	135 / 116
Pressure	Pressure
2	2
3	3
208	210
1000	1000
12	12
135	135
Cummins	Cummins
QSB3.3-C99	QSB4.5-C130
74	97
ISO 3046/1 (DIN6271)	ISO 3046/1 (DIN6271)



Standard items

- Engine TIER 3
- ROPS/FOPS cab with sliding and rotating driver seat
- Ventilated+heated
- Adjustable steering wheel
- Speed pre-selector
- 2 mode vibratory system
- Hydrostatic propulsion, front+rear
- Working lights + turning indicators and back up lights
- Sprinkling system
- Back-up alarm
- Vulkolan scrapers
- Inter axle dif. lock

Optional items

- CE kit
- Open platform with rails + vandal cover
- ROPS frame onto platform
- Canvas canopy (black, yellow), mounted on ROPS frame
- Canvas canopy (black, yellow)
- Air conditioning
- Radio with MP3 player
- Edge cutter + press wheel
- Thermometer
- Backing horn
- Additional working lights on cab 2+2
- Tilttable scrapers
- Warning beacon
- Back-up alarm
- Tools kit
- First service kit
- Fire extinguisher
- Add. documentation set
- Customer color
- ACE Force compaction meter

Ammann distribution companies

Germany
Ammann Verdichtung GmbH
D-53773 Hennef
Tel +49 22 42 880 20
Fax +49 22 42 88 02 59
info.avd@ammann-group.com

France
Ammann France SAS
F-94046 Créteil/Cedex
Tel +33 1 45 17 08 88
Fax +33 1 45 17 08 90
info.afr@ammann-group.com

United Kingdom
Ammann Equipment Ltd.
Bearley Stratford upon Avon
GB-Warwickshire, CV37 8XY
Tel +44 1789 414 525
Fax +44 1789 414 495
info.ael@ammann-group.com

USA
Ammann America Inc.
Ponte Vedra, Florida 32082, USA
Tel +1 904 543 1691
Fax +1 888 266 1210
info.aaa@ammann-group.com

Russia
Ammann Russland o.o.o.
RU-129343 Moscow
Tel +7 495 933 35 61
Fax +7 495 933 35 67
info.aru@ammann-group.com

Brasil
Ammann do Brasil
Gravataí -RS- Brasil 94180 - 452
Tel +55 51 9315 3099
info.abr@ammann-group.com

South Africa
Ammann Construction Machinery
South Africa
229 Hull Road, Rynfiel, Benoni
Tel +27 11 849 3939
Fax +27 11 849 8889

United Arab Emirates
Ammann NME / Dubai
Dubai
Tel +971 4 299 14 49 | 7
Fax +971 4 299 14 49
info.nme@ammann-group.com

Ammann manufacturing companies

Switzerland
Ammann Schweiz AG
CH-4901 Langenthal
Tel +41 62 916 61 61
Fax +41 62 916 64 03
info.aag@ammann-group.com

Germany
Ammann Verdichtung GmbH
D-53773 Hennef
Tel +49 22 42 880 20
Fax +49 22 42 88 02 59
info.avd@ammann-group.com

Czech Republic
Ammann Czech Republic a.s.
CZ-54901 Nové Město nad Metují
Tel +420 491 476 111
Fax +420 491 470 405
info.acz@ammann-group.com

Ammann Spare Parts
Tel +41 62 916 66 66
Fax +41 62 916 6804
spareparts.machines@ammann-group.com

